

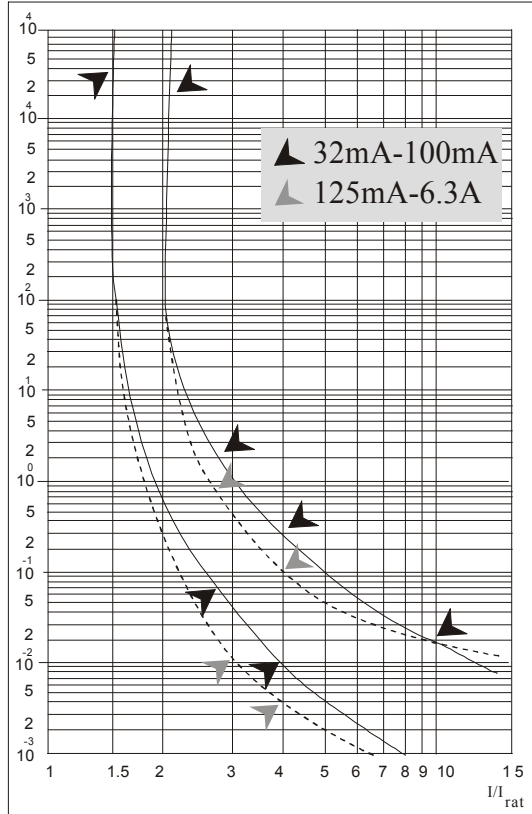


50EF

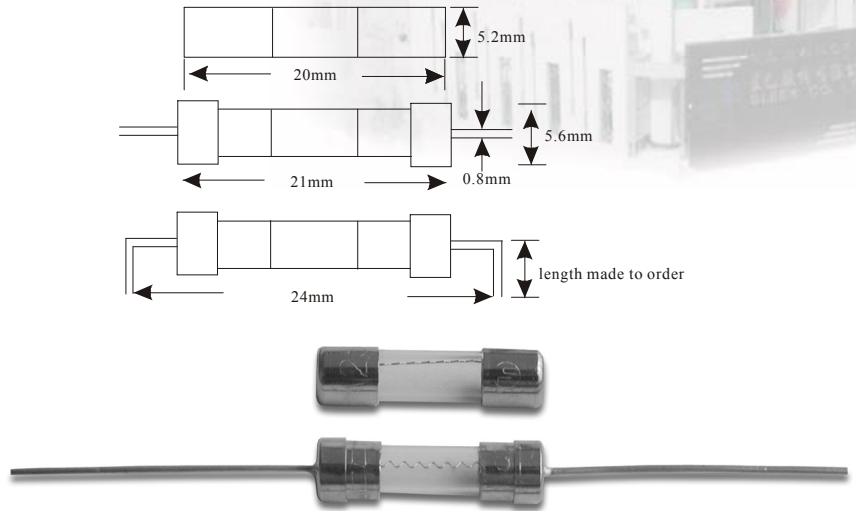
Fuse-links 50EF
 Miniature Glass Fuse 5x20mm
 Low Breaking Capacity
 Fast Blow (Quick Acting)
 F-250V

pluggable into miniature fuse-holder or directly mountable on printed circuit boards

Standards and approvals
 IEC-127-4 DIN-VDE 0820/1



TYPE DIMENSION



Time current characteristics

Rat. current In	1.5xI _{rat}	2.1xI _{rat}	2.75xI _{rat}	4xI _{rat}	10xI _{rat}
2A 32...100mA 2B 125mA...10A	>1h	<30min	10ms...500ms 50ms...2s	3...100ms 10...300ms	<20ms

Order No.
 Type:50EF

TYPE	LEAD WIRE	PITCH, LENGTH	RATED CURRENT	VOLTAGE DROP mV 1.0xIn mV MAX	POWER DISSIPATION MAX. AT 1.5In W	FUSING I²T 10In	BREAKING CAPACITY	APPROVAL		
								VDE	UL	TUV
50EF	L	P:xx, L:xx	100mA	3500	0.4	0.003	35Aor 10xIn/ 250VAC IEC 127-3/3	○	●	○
			125mA	2000	0.4	0.006		○	●	○
			160mA	2000	0.5	0.012		○	●	○
			200mA	1700	0.5	0.022		○	●	○
			250mA	1400	0.2	0.02		○	●	○
			315mA	1300	0.2	0.04		○	●	○
			400mA	1200	0.2	0.08		○	●	○
			500mA	1000	0.2	0.15		○	●	○
			630mA	650	0.3	0.3		○	●	○
			800mA	240	0.3	0.6		○	●	○
			1A	200	0.3	1.2		○	●	○
			1.25A	200	0.4	1.9		○	●	○
			1.6A	190	0.5	3.1		○	●	○
			2A	170	0.6	5.7		○	●	○
			2.5A	170	0.6	9.7		○	●	○
			3.15A	150	1.0	18		○	●	○
			4A	130	1.3	27		○	●	○
			5A	130	2.0	31		○	●	○
6.3A	130	2.3	49	○	●	○				
8A	250	2.5	90	○	●	○				
10A	250	2.5	181	○	●	○				
12A	250	2.6		○	●	○				
13A	250	2.65		○	●	○				
15A	250	2.71		○	●	○				